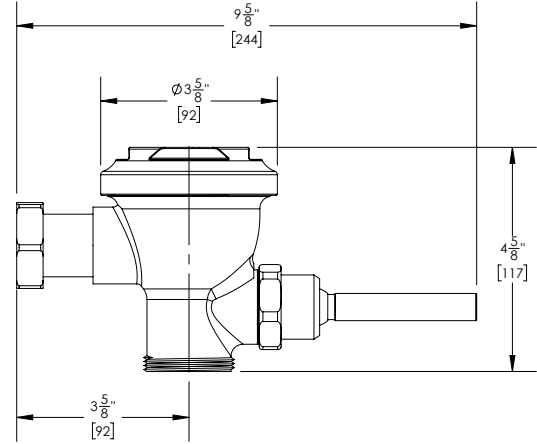


**COBALT® Exposed Manual  
Flush Valve for Urinals**

**0.5 gpf / 1.9 Lpf**



Part No. 101105 : 3000 : 0.5

► **Description**

COBALT® Exposed Manual Flush Valve for Urinals;  
0.5 gpf / 1.9 Lpf; Less Vacuum Breaker; Less Control Stop

► **Features**

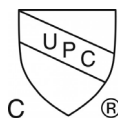
- 0.5 gpf / 1.9 Lpf
- Patented ProLAST® T-Seal, featuring a single-piece design, glass-reinforced polymer substrate with TPE overmolded seals
- Integral, stainless steel bypass filter
- TPE overmolded seals are chlorine and chloramine resistant to prevent failure in the worst water conditions
- Dynamic sealing design provides accurate and consistent flush performance over time
- No external flush volume adjustment
- ADA compliant, non-hold open handle
- Adjustable tailpiece allows for variations in rough-in

► **Urinal Flush Volume**

0.5 gpf / 1.9 Lpf

► **Accessories**

For additional accessories, see the Accessories Section of the I-CON catalog or contact our Customer Service Team for details.



**Recommended Specification**

**I-CON COBALT® 101105 3000 Exposed Manual Flush Valve** is a manually operated, dynamic sealing exposed flush valve for urinals. The cast brass valve body has a polished, chrome-plated finish. It utilizes the I-CON patented ProLAST® T-Seal, featuring a single-piece design, glass-reinforced polymer substrate with TPE overmolded seals, and a stainless steel, integral bypass filter. It is ADA compliant with a non-hold open handle. The flush volume is 0.5 gpf / 1.9 Lpf.

*This product should be used with a WaterSense labled counterpart with a compatible flow volume to ensure that the entire system meets the requirements for water efficiency and performance.*

**⚠ WARNING:** Cancer and Reproductive Harm - [www.P65Warnings.ca.gov](http://www.P65Warnings.ca.gov)

This space is for Architect/Engineer approval

The information contained in this document is subject to change without notice.